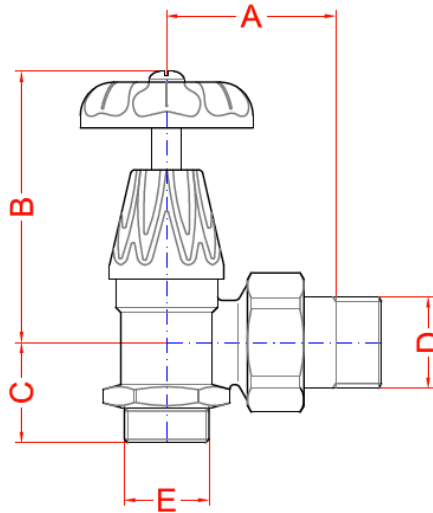


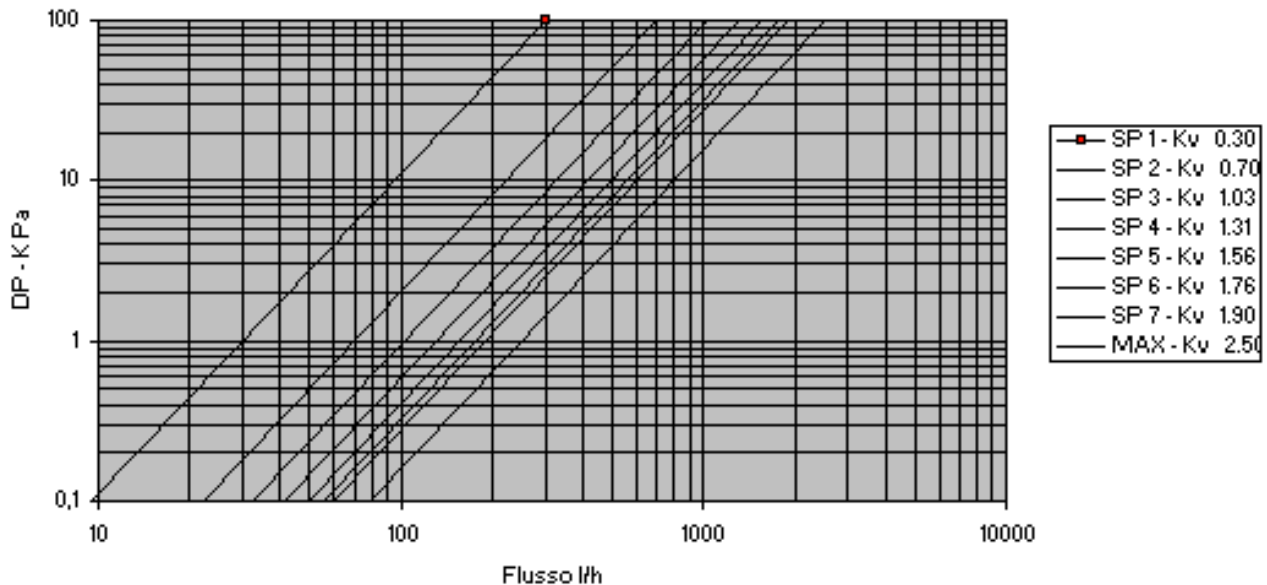
Technical Datasheet | Technické údaje
Valve ArtDeco | Ventil ArtDeco



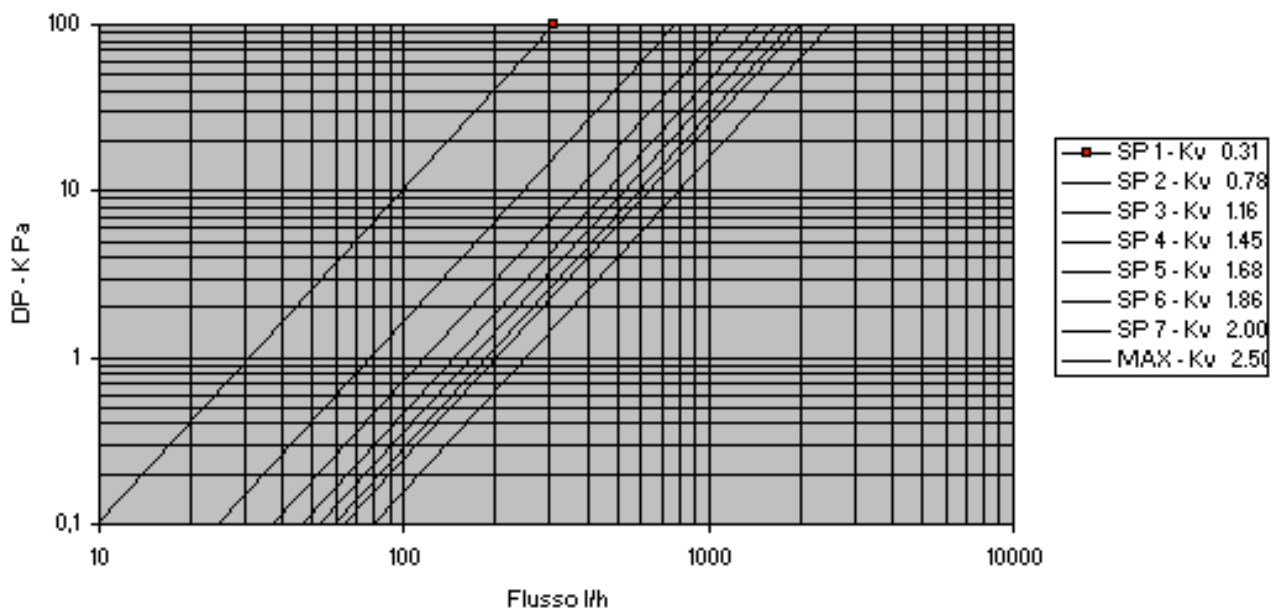
General parameters Základní parametry	
Max. working pressure	10 bar
Max. working temperature	100°C
Body material	brass EN 12165-CW617N
Connection	cooper or plastic pipes



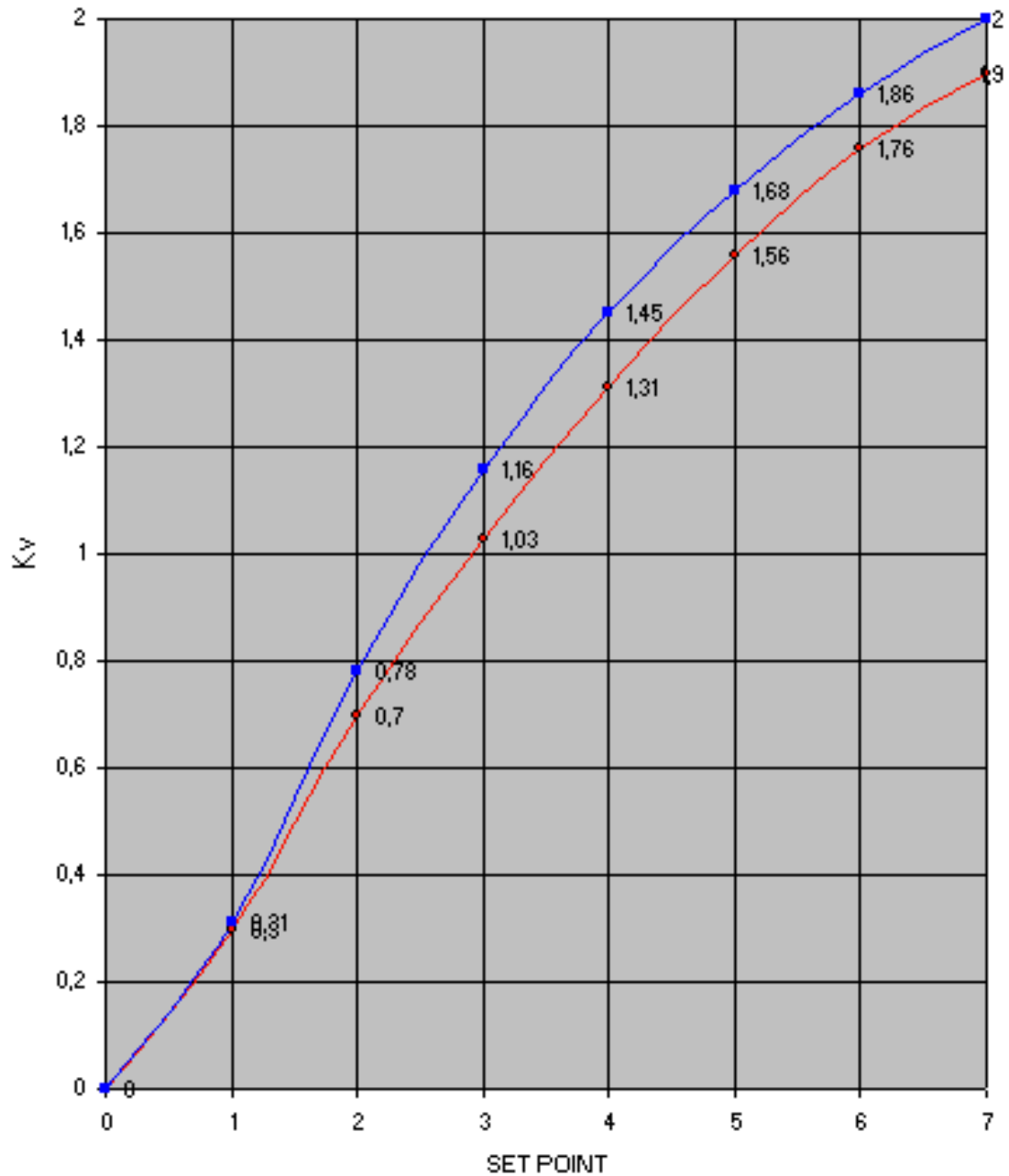
Codice	D	A	B	C	E
VLAD	1/2"	55	72	28.5	24-19

PD diagram for ArtDeco valve - normal


set-point	1	2	3	4	5	6	7	max			DP	rad. DP
0.1K Pa l/h	9,80	24,65	36,656	45,82	53,088	58,776	63,2	79			0,1	31,6
10K Pa l/h	310	780	1160	1450	1680	1860	2000	2500			100	1000
Kv	0,31	0,78	1,16	1,45	1,68	1,86	2	2,5				

PD diagram for ArtDeco valve - reverse


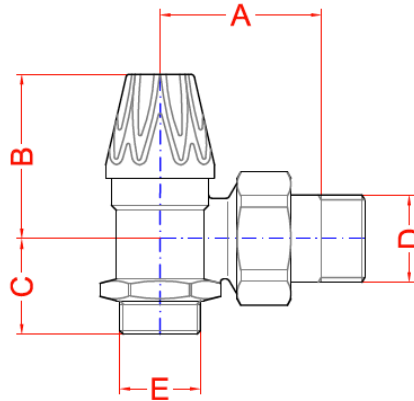
set-point	1	2	3	4	5	6	7	max			DP	rad. DP
0.1K Pa l/h	9,48	22,12	32,548	41,396	49,296	55,616	60,04	79			0,1	31,6
10K Pa l/h	300	700	1030	1310	1560	1760	1900	2500			100	1000
Kv	0,3	0,7	1,03	1,31	1,56	1,76	1,9	2,5				

KV diagram for ArtDeco valve


set-point	0	1	2	3	4	5	6	7	MAX.
Kv normale	0	0,3	0,7	1,03	1,31	1,56	1,76	1,9	2,5
Kv reverso	0	0,31	0,78	1,16	1,45	1,68	1,86	2	2,5

Technical Datasheet | Technické údaje
Return valve ArtDeco | Zpětný ventil ArtDeco


General parameters Základní parametry	
Max. working pressure	10 bar
Max. working temperature	100°C
Body material	brass EN 12165-CW617N
Connection	cooper or plastic pipes



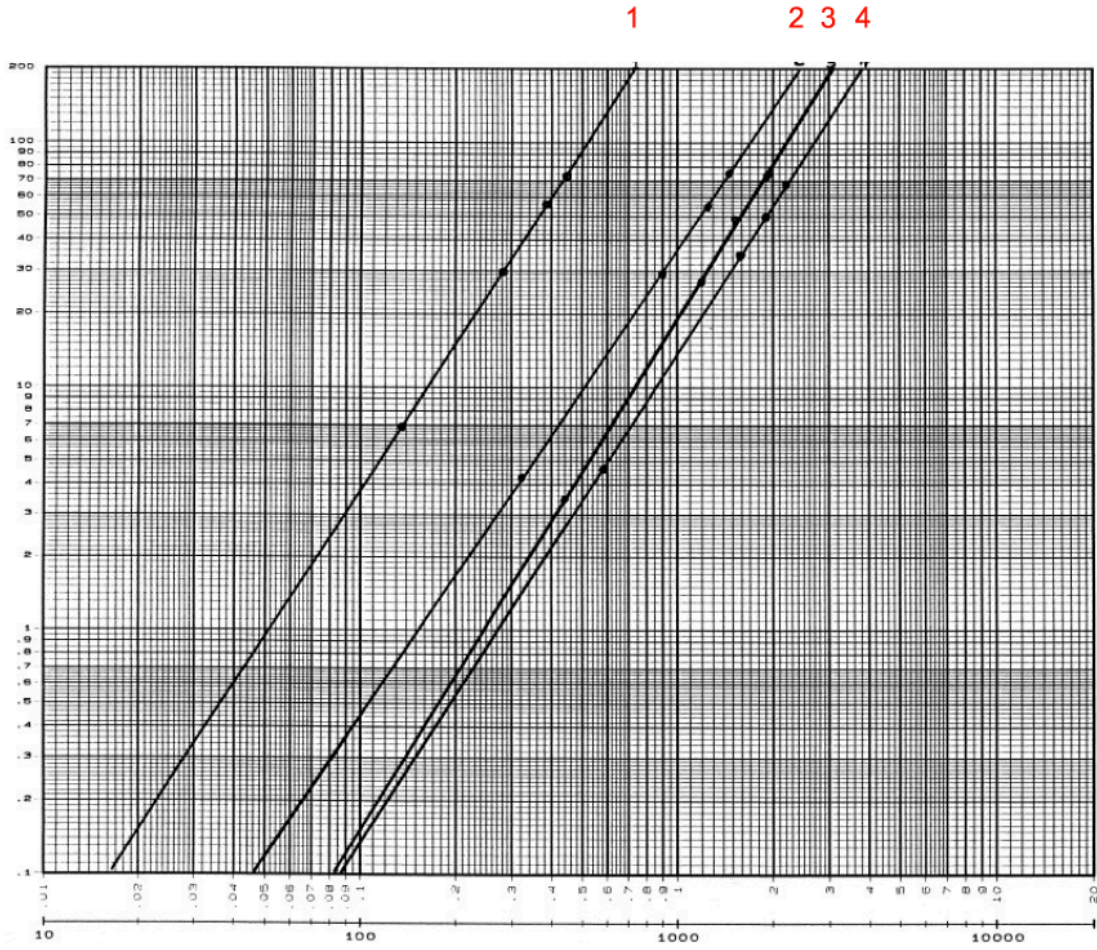
Codice	D	A	B	C	E
VLAD	1/2"	55	49	28.5	24-19

Technical features

Identification	number of spindle turn	Kv
Square valve	1/2"	0.51
	1	1.69
	1 1/2"	2.20
	open	2.70

PD diagram for ArtDeco valve

PD (kpa)



(mc / h)
(l / h)